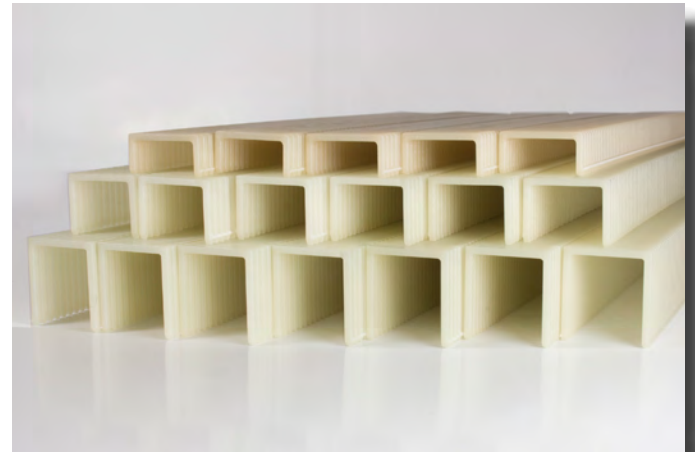
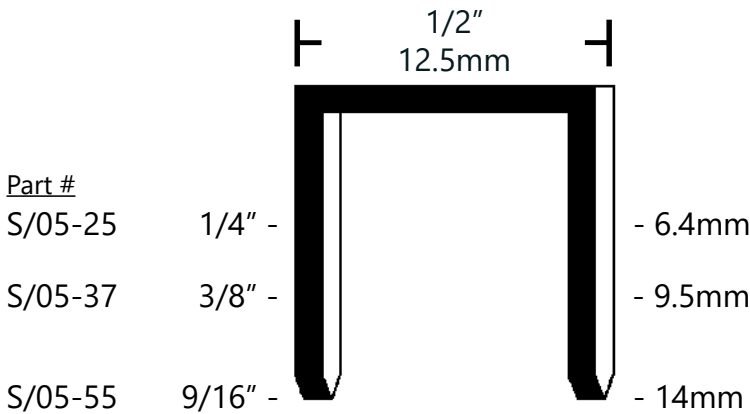


Fastener Type

RAPTOR® S/05 Composite

19 Gauge Staples



Packaging: 5040 staples per box • 20 boxes per case

BENEFITS

- ✓ **Sawable, Sandable & Planeable**
- ✓ **Never Rusts or Corrodes**
- ✓ **Bonds Like Glue**
- ✓ **Completely Non-Metal**

APPLICATIONS

Lumber wrap
 Lumber tagging
 Boatbuilding
 Fiberglass lay-up
 Composites manufacturing
 Radiant barrier installation
 House wrap
 Casket lining
 Caseloads tagging

TOOLS

Pneumatic:
 OMER 81P Series

Manual:
 RAPTOR® G-3PS
 RAPTOR® CT-6000P

Material Grades:

Standard Material: Provides the best drivability. It is not recommended for high speed steel moulder knives but it is fine for carbide blades. In one particular customer test, Titan V24RW, BB knives were used with our standard RAPTOR® product fastened in a line and the knives showed no signs of damage.

LF Material: Safe for most moulder blades but drivability is somewhat compromised.

NF Material: Safe for all delicate blades but drivability is somewhat compromised.

Colors: RAPTOR® fasteners are available in colors such as White, Brown, Redwood, Cedar, Blue, Red and Gray. Please contact us for minimum order requirements and lead times.

